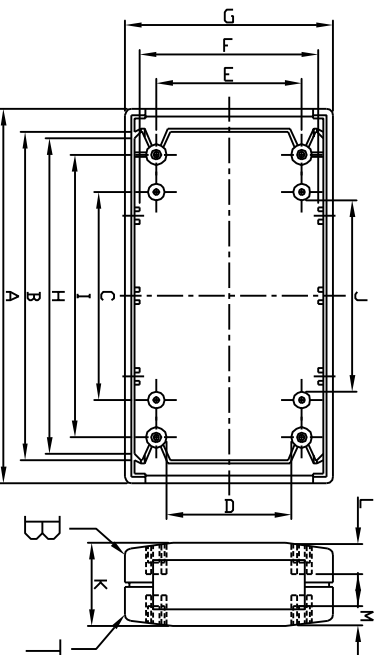
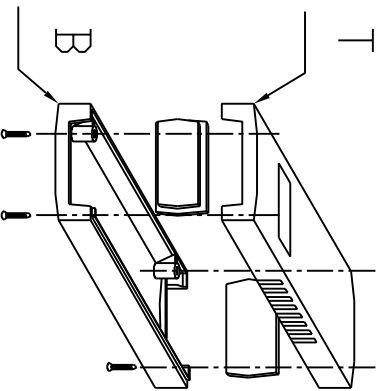


# 400 SERIES



PART NO.	THE HEIGHT OF THE FILLS				
	L	M	L	M	
G401	G430	5.7	2.6	5.7	2.6
G403	G431	13.7	2.6	5.7	2.6
G404	G434	13.7	2.6	13.7	2.6
G407	G436	12.0	4.4	12.0	4.4
G410	G438	22.0	4.0	12.0	4.4
G412	G440	22.0	4.0	22.0	4.0
G413	G443	13.2	4.1	13.2	4.1
G416	G445	27.4	4.3	13.2	4.1
G418	G447	27.4	4.3	27.4	4.3
G421	G452	16.4	3.8	16.4	3.8
G422	G454	36.3	3.5	16.4	3.8
G425	G459	36.3	3.5	36.3	3.5

A	G430	G431	G434	G436	G438	G440	G443	G445	G447	G452	G454	G459
B	G401	G403	G404	G407	G410	G412	G413	G416	G418	G421	G422	G425
C	90	90	90	120	120	120	150	150	150	190	190	190
D	83	83	83	111	111	111	138	138	138	180	180	180
E	50	50	50	80	80	80	110	110	110	150	150	150
F	27.5	27.5	27.5	26	26	26	46	46	46	65	65	65
G	35	35	35	35	35	35	55	55	55	75	75	75
H	40.5	40.5	40.5	44	44	44	70	70	70	83	83	83
I	50	50	50	60	60	60	80	80	80	100	100	100
J	79.4	79.4	79.4	108	108	108	138	138	138	176	176	176
K	68	68	68	98	98	98	128	128	128	168	168	168
	42.5	42.5	42.5	72	72	72	100	100	100	140	140	140
	16	24	32	30	40	40	50	31	45	40	60	80

According to ISO 2768-m

Measuring DIM.=L Tolerance

0.5<L≤3.0 mm	±0.1 mm
3.0<L≤6.0 mm	±0.1 mm
6.0<L≤30.0 mm	±0.2 mm
30.0<L≤120.0 mm	±0.3 mm
120.0<L≤400.0 mm	±0.5 mm
400.0<L≤1000.0 mm	±0.8 mm

宣又實業有限公司  
GAINTA INDUSTRIES LTD.

DES'D BY	繪圖 BY	核圖 BY	比例 SCALE	日期 DATE	材質 MATE.	圖名 TITLE	圖號 DWG NO.	版次 REVISION	說明 DESCRIPTION
Spencer				Sep.20,2006	ABS	400 SERIES		B	