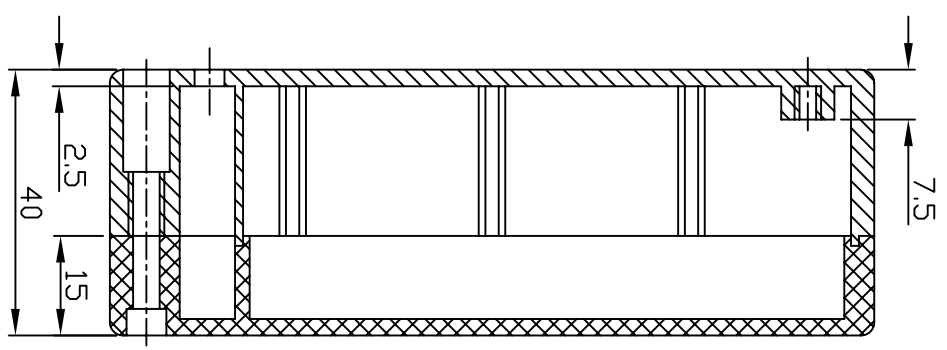
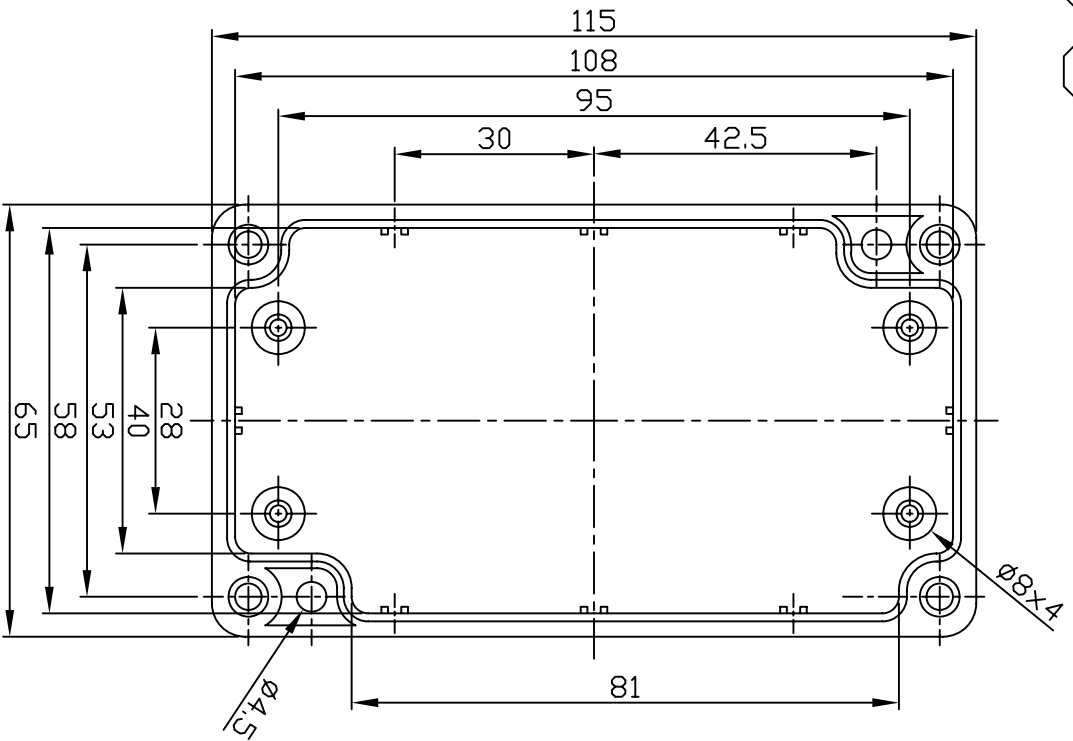


# G304 / G203



According to ISO 2768-m

Measuring DIM.=L	Tolerance
0.5 <math>\leq L \leq 3.0</math> mm	$\pm 0.1$ mm
3.0 <math>\leq L \leq 6.0</math> mm	$\pm 0.1$ mm
6.0 <math>\leq L \leq 30.0</math> mm	$\pm 0.2$ mm
30.0 <math>\leq L \leq 120.0</math> mm	$\pm 0.3$ mm
120.0 <math>\leq L \leq 400.0</math> mm	$\pm 0.5$ mm
400.0 <math>\leq L \leq 1000.0</math> mm	$\pm 0.8$ mm

宣文實業有限公司 GAINTA INDUSTRIES LTD.		設計 DES'D BY	繪圖 DRA'D BY Spencer	核圖 CHK'D BY	比例 SCALE	日期 DATE Sep.18,2006	材質 MATE. ABS,PC	圖名 TITLE: G304,G203	圖號 DWG NO.:	版次 REVISION B	說明 DESCRIPTION
------------------------------------	--	-------------------	------------------------------	-------------------	-------------	---------------------------	-----------------------	---------------------------	----------------	---------------------	-------------------