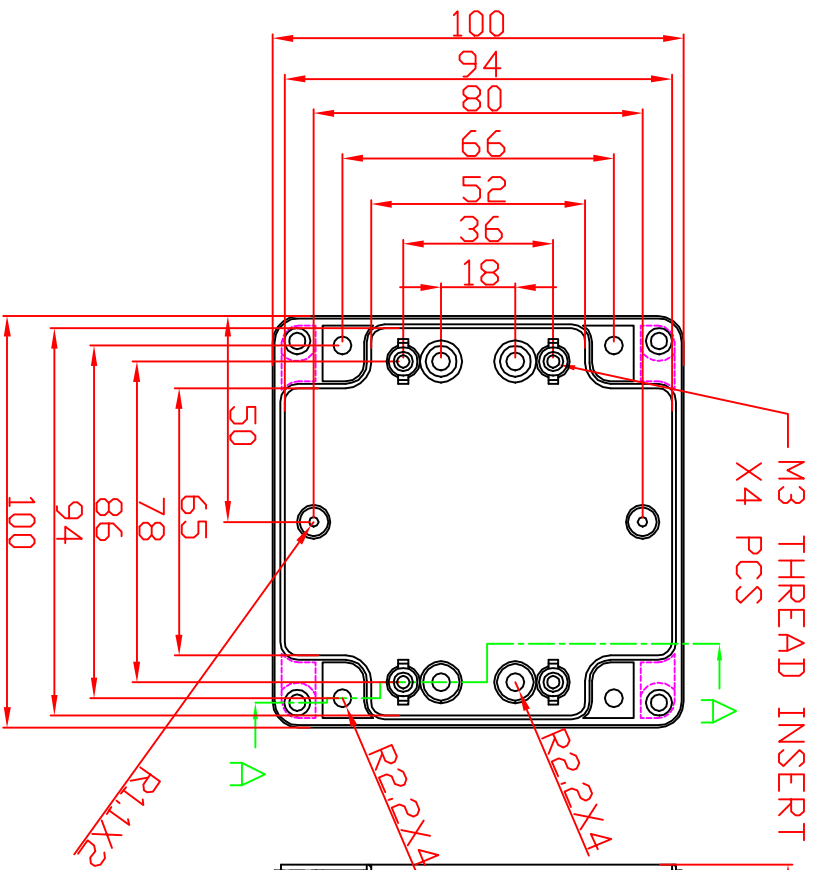
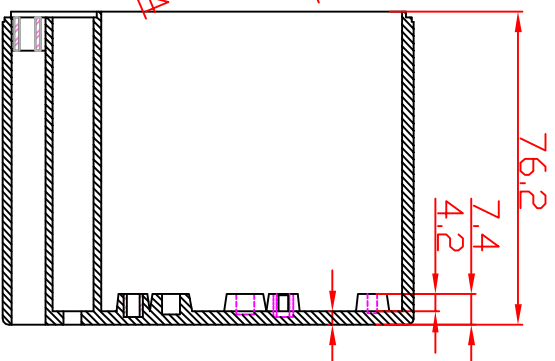


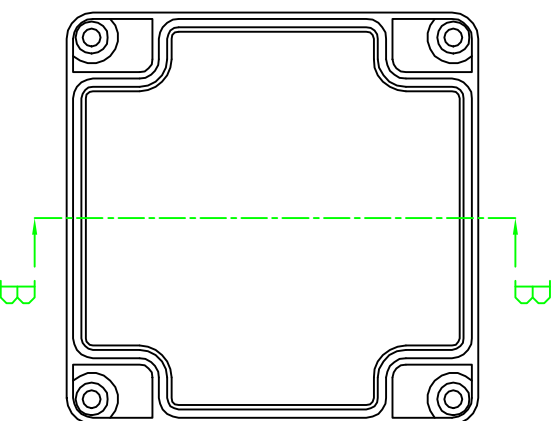
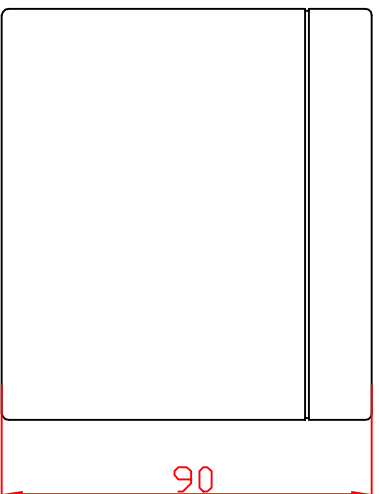
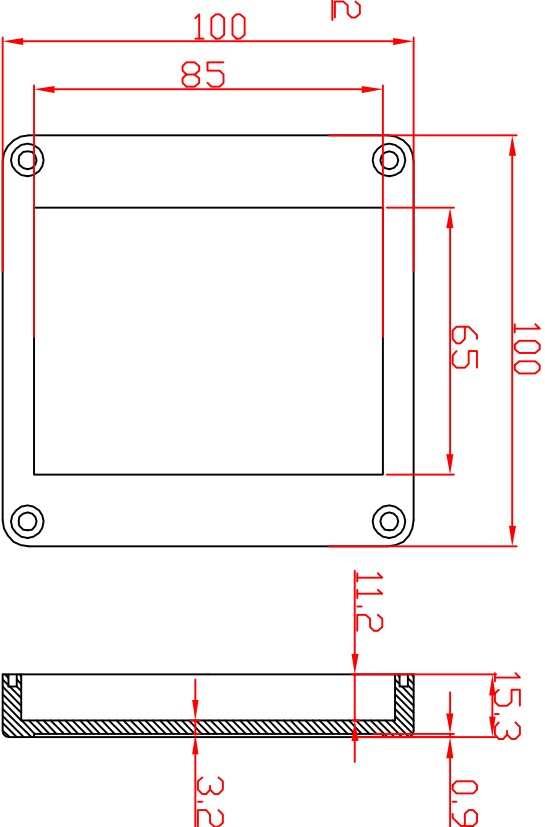
G2102/G3103



SECTION "A-A"



SECTION "B-B"



宣又實業有限公司
GAINTA INDUSTRIES LTD.

設計
DESIGN
BY

繪圖
DRAWN
BY

核圖
CHK'D
BY

比例
SCALE

日期
DATE

材質
MATE.

圖名
TITLE:

圖號
DWG NO.:

圖號
REVISED

說明
DESCRIPTION

DESIGN BY

DRAWN BY

CHK'D BY

SCALE

DATE

MATE.

TITLE:

DWG NO.:

REVISED

DESCRIPTION

DESIGN BY

DRAWN BY

CHK'D BY

SCALE

DATE

MATE.

TITLE:

DWG NO.:

REVISED

DESCRIPTION

DESIGN BY

DRAWN BY

CHK'D BY

SCALE

DATE

MATE.

TITLE:

DWG NO.:

REVISED

DESCRIPTION

DESIGN BY

DRAWN BY

CHK'D BY

SCALE

DATE

MATE.

TITLE:

DWG NO.:

REVISED

DESCRIPTION

DESIGN BY

DRAWN BY

CHK'D BY

SCALE

DATE

MATE.

TITLE:

DWG NO.:

REVISED

DESCRIPTION

DESIGN BY

DRAWN BY

CHK'D BY

SCALE

DATE

MATE.

TITLE:

DWG NO.:

REVISED

DESCRIPTION

DESIGN BY

DRAWN BY

CHK'D BY

SCALE

DATE

MATE.

TITLE:

DWG NO.:

REVISED

DESCRIPTION

DESIGN BY

DRAWN BY

CHK'D BY

SCALE

DATE

MATE.

TITLE:

DWG NO.:

REVISED

DESCRIPTION

DESIGN BY

DRAWN BY

CHK'D BY

SCALE

DATE

MATE.

TITLE:

DWG NO.:

REVISED

DESCRIPTION

DESIGN BY

DRAWN BY

CHK'D BY

SCALE

DATE

MATE.

TITLE:

DWG NO.:

REVISED

DESCRIPTION

DESIGN BY

DRAWN BY

CHK'D BY

SCALE

DATE

MATE.

TITLE:

DWG NO.:

REVISED

DESCRIPTION

DESIGN BY

DRAWN BY

CHK'D BY

SCALE

DATE

MATE.

TITLE:

DWG NO.:

REVISED

DESCRIPTION

DESIGN BY

DRAWN BY

CHK'D BY

SCALE

DATE

MATE.

TITLE:

DWG NO.:

REVISED

DESCRIPTION

DESIGN BY

DRAWN BY

CHK'D BY

SCALE

DATE

MATE.

TITLE:

DWG NO.:

REVISED

DESCRIPTION

DESIGN BY

DRAWN BY

CHK'D BY

SCALE

DATE

MATE.

TITLE:

DWG NO.:

REVISED

DESCRIPTION

DESIGN BY

DRAWN BY

CHK'D BY

SCALE

DATE

MATE.

TITLE:

DWG NO.:

REVISED

DESCRIPTION

DESIGN BY

DRAWN BY

CHK'D BY

SCALE

DATE

MATE.

TITLE:

DWG NO.:

REVISED

DESCRIPTION

DESIGN BY

DRAWN BY

CHK'D BY

SCALE

DATE

MATE.

TITLE:

DWG NO.:

REVISED

DESCRIPTION

DESIGN BY

DRAWN BY

CHK'D BY

SCALE

DATE

MATE.

TITLE:

DWG NO.:

REVISED

DESCRIPTION

DESIGN BY

DRAWN BY

CHK'D BY

SCALE

DATE

MATE.

TITLE:

DWG NO.:

REVISED

DESCRIPTION

DESIGN BY

DRAWN BY

CHK'D BY

SCALE

DATE

MATE.

TITLE:

DWG NO.:

REVISED

DESCRIPTION

DESIGN BY

DRAWN BY

CHK'D BY

SCALE

DATE

MATE.

TITLE:

DWG NO.:

REVISED

DESCRIPTION

DESIGN BY

DRAWN BY

CHK'D BY

SCALE

DATE

MATE.

TITLE:

DWG NO.:

REVISED

DESCRIPTION

DESIGN BY

DRAWN BY

CHK'D BY

SCALE

DATE

MATE.

TITLE:

DWG NO.:

REVISED

DESCRIPTION

DESIGN BY

DRAWN BY

CHK'D BY

SCALE

DATE

MATE.

TITLE:

DWG NO.:

REVISED

DESCRIPTION

DESIGN BY

DRAWN BY

CHK'D BY

SCALE

DATE

MATE.

TITLE:

DWG NO.:

REVISED

DESCRIPTION

DESIGN BY

DRAWN BY

CHK'D BY

SCALE

DATE

MATE.

TITLE:

DWG NO.:

REVISED

DESCRIPTION

DESIGN BY

DRAWN BY

CHK'D BY

SCALE

DATE

MATE.

TITLE:

DWG NO.:

REVISED

DESCRIPTION

DESIGN BY

DRAWN BY

CHK'D BY

SCALE

DATE

MATE.

TITLE:

DWG NO.:

REVISED

DESCRIPTION

DESIGN BY

DRAWN BY

CHK'D BY

SCALE

DATE

MATE.

TITLE:

DWG NO.: